

CS 1012-2 G

ProLine element  
with two burners



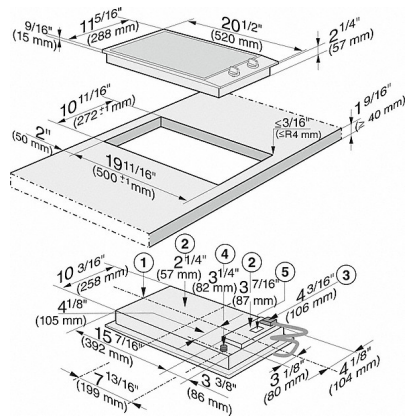
- Professional design - Stainless steel trough, 288mm wide
- Particularly versatile - 1 medium burner and 1 large burner
- Optimal - single-handed operation via rotary dials and QuickStart
- Particularly convenient - in operation and residual heat indicator
- Extremely safe - GasStop&Restart function

EAN: 4002516127123 / article number: 27101253E / material number: 10938800

<b>Heating type</b>	
Heating type	Gas
<b>Construction type</b>	
ProLine	•
<b>Design</b>	
Stainless steel trough	•
Miele logo embossed in stainless steel	•
Cast iron pot rests (matt black enamelled)	•
<b>Cooking zone details</b>	
Number of cooking zones	2
<b>Cooking zone</b>	
Position	front centre
Type	Standard burner
Max. rating in W	1800
Position	rear centre
Type	High-speed burner
Max. rating in W	3000
<b>User convenience</b>	
Operation via knobs	•
QuickStart	•
<b>Safety</b>	
Residual heat indicator	•
GasStop & ReStart	•
<b>Technical data</b>	
Dimensions in mm (width)	288
Dimensions in mm (height)	144
Casing height incl. connection box in mm	106
Dimensions in mm (depth)	520
Cutout dimensions in mm (width) with surface-mounted installation	272
Cutout dimensions in mm (depth) with surface-mounted installation	500
Weight in kg	8
Voltage in V	230
Connection cable length in m	2,0
<b>Standard accessories</b>	
Mains cable	•
Jets for natural gas	•
Jets for liquid gas	•

CS 1012-2 G

ProLine element  
with two burners



CS 1012-1 G (Installation drawing) - USA

- 1) Appliance front
- 2) Installation height
- 3) Power supply box with Connection cable, L = 78 3/4" (2000 mm)
- 4) Gas Fitting
- 5) Rating label