

CS 1327 Y

ProLine element
with electrically heated Tepan Yaki



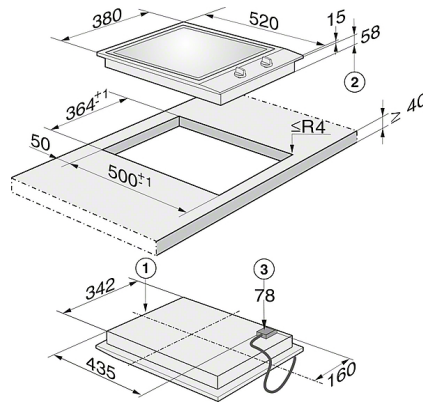
- Professional design - Stainless steel surface, 380mm wide
- Particularly versatile - 2 separately controlled heating areas
- Particularly versatile - fry, grill, braise, sauté, etc.
- Easy and direct controls - operation via metal rotary dial control
- Very convenient, safe - operating and residual heat indicator

EAN: 4002514994727 / article number: 27132750E / material number: 07986890

Heating type	
Heating type	Other type of heating
Construction type	
ProLine	•
Design	
Stainless-steel frame	•
Stainless steel Tepan surface	•
Cooking zone	
Position	In front
Size in mm	Ø 190 / 190x290
Max. rating in W	1200
Position	Rear
Size in mm	Ø 190 / 190x290
Max. rating in W	1200
User convenience	
Operation via knobs	•
Safety	
Residual heat indicator	•
Technical data	
Dimensions in mm (width)	380
Dimensions in mm (height)	118
Dimensions in mm (depth)	520
Cutout dimensions in mm (width) with surface-mounted installation	364
Cutout dimensions in mm (depth) with surface-mounted installation	500
Weight in kg	10
Total rated load in kW	2,400-2,600
Voltage in V	230-240
Connection cable length in m	2,0
Standard accessories	
Mains cable	•

CS 1327 Y

ProLine element
with electrically heated Tepan Yaki



CS 1327 Y (Installation drawing)

- 1) Front
- 2) Height for building in
- 3) Mains connection box with cable, 2000 mm long