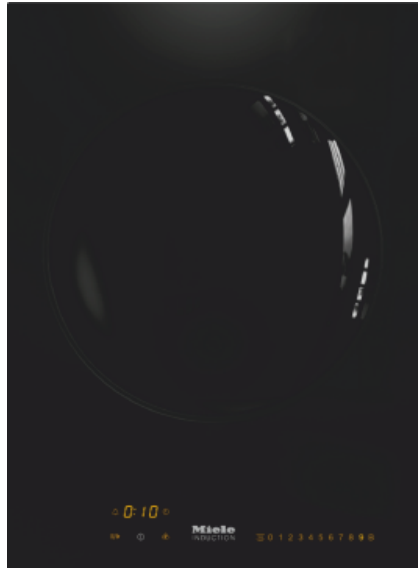


CS 7641 FL

SmartLine element



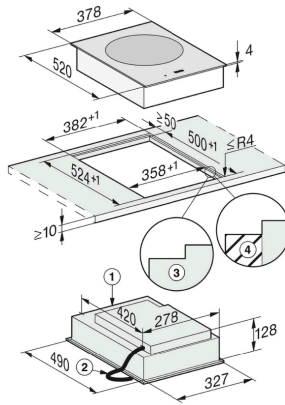
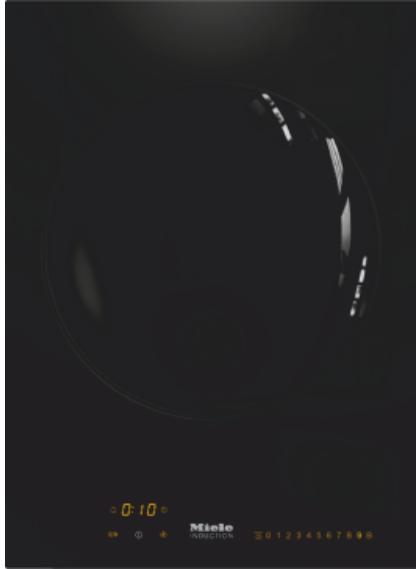
- Intuitive quick selection via number sequences – Smart Select
- Seamlessly integrates with any SmartLine element
- Elegant design – for flush or raised installation
- Eye-catcher - with integrated wok
- Powerful - booster function

EAN: 4002516276210 / article number: 27764150GB / material number: 11323040

Heating type	
Heating type	Induction
Construction type	
SmartLine	•
Design	
Ceramic surface colour	Black
Flush-fit installation	•
Concave glass wok recess	•
Cooking zone details	
Number of cooking zones	1
Cooking zone	
Position	Centred
Type	Wok burner
Size in mm	Ø 300
Max. rating in W	2500
Max. Booster power rating in W	3000
User convenience	
Operation via sensor controls	Smart Select
Pan and pan size recognition	•
Auto heat-up	•
Keeping warm	•
Cleaning convenience	
Easy to clean ceramic glass	•
Safety	
Safety switch-off	•
System lock	•
Integrated cooling fan	•
Overheating protection	•
Residual heat indicator	•
Technical data	
Dimensions in mm (width)	378
Dimensions in mm (height)	134
Casing height incl. connection box in mm	129
Dimensions in mm (depth)	520
Cutout dimensions in mm (width) with surface-mounted installation	358
Cutout dimensions in mm (depth) with surface-mounted installation	500
Internal cutout dimensions in mm (width) with flush installation	358
Internal cutout dimensions in mm (depth) with flush installation	500
External cutout dimensions in mm (width) with flush installation	382
External cutout dimensions in mm (depth) with flush installation	524
Weight in kg	12
Total rated load in kW	3,000
Voltage in V	220-240
Connection cable length in m	1,5
Standard accessories	
Mains cable	•
Coated wok pan	•

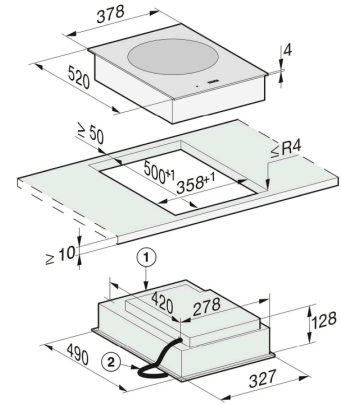
CS 7641 FL

SmartLine element



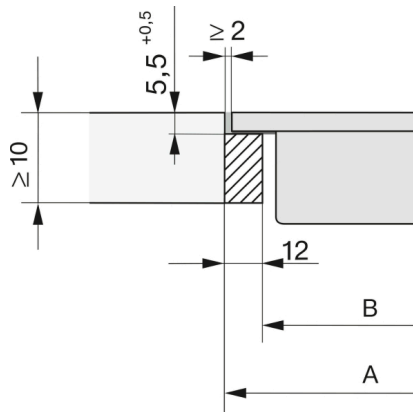
CS 7611 FL, flush (Installation drawing)

- 1) Front
- 2) Mains connection cable, L = 2000 mm
- 3) Stepped cut-out
- 4) Wooden frame 12 mm (supplied loose)



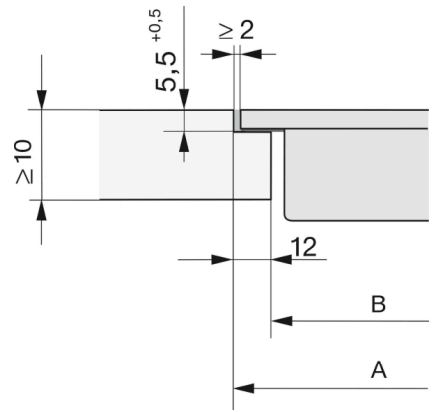
CS 7641 FL, onset (Installation drawing)

- 1) Front
- 2) Mains connection cable, L = 2000 mm



CS 7000 FL, flush (Installation drawing)

*7+0,5 = CS7641 (Wok)



CS 7000 FL, flush (Installation drawing)

*7+0,5 = CS7641 (Wok)